

Name: _____

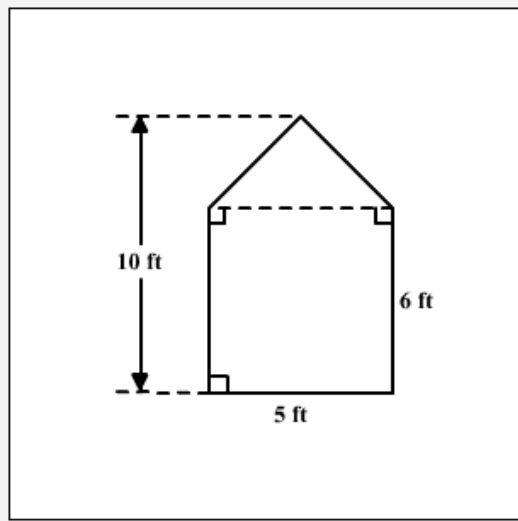
Date: _____

Take – Home Quiz

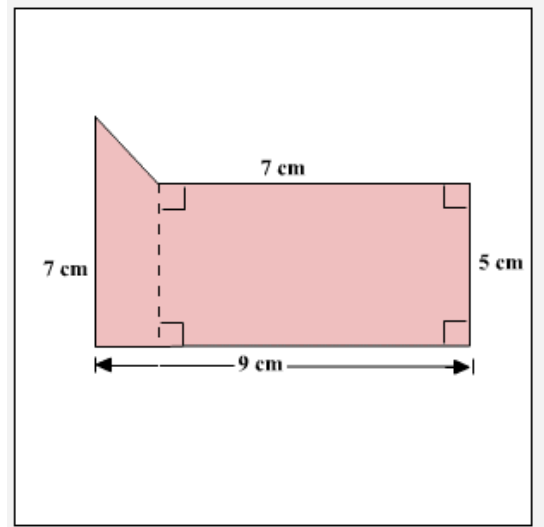
Show ALL your work.

Find the area of the composite shapes below.

1.



2.



3. Find the base if the area of a parallelogram is 228 cm^2 and its height is 15.2 cm.

4. Let the area be 150m^2 , height 10m , and one of the bases is 20m of a trapezoid. Determine the length of the missing base.

5. Draw the parallelogram with the given vertices on the provided graph below. Then calculate the area.

